

FLOATING ball valves







FLOATING ball valves

PAGE

46

Art. 75 2 or 3 pieces split body

PAGE

50

Art 22 2 pieces split body

PAGE

54

Art 20 3 pieces swing out body

PAGE

58

Art 175-122 Cryogenic

PAGE

60

Art 375 High Temperature



ART. 75

2 or 3 pieces split body

Za.Ve.Ro. API 6D/ISO 17292 floating ball valves are 2 or 3 pieces, full and reduced bore, construction type, flanged ends, split body, side entry, in bolted execution, blowout proof stem, fitted with antistatic device.

- F/F dimensions are long-pattern design
- Different bore reductions are available upon request
- BW ends manufactured as standard with to face as per API 6D
- HUB ends manufactured as standard with face to face as per RJ type
- Large groove, large female, flat face and compact flange are also available upon request

Available pressure ratings:

ASME 150-300-600-900-1500-2500

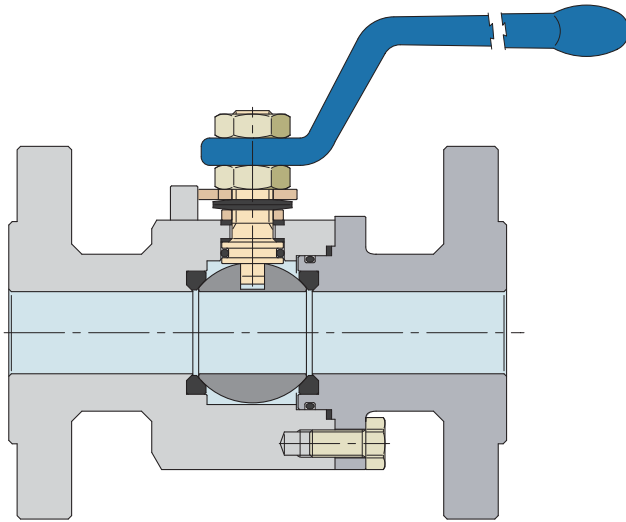
Options

- locking device
- extended stem
- garlock packing
- metal to metal seat
- RF - RJ - BW ends
- Soft and metal seated

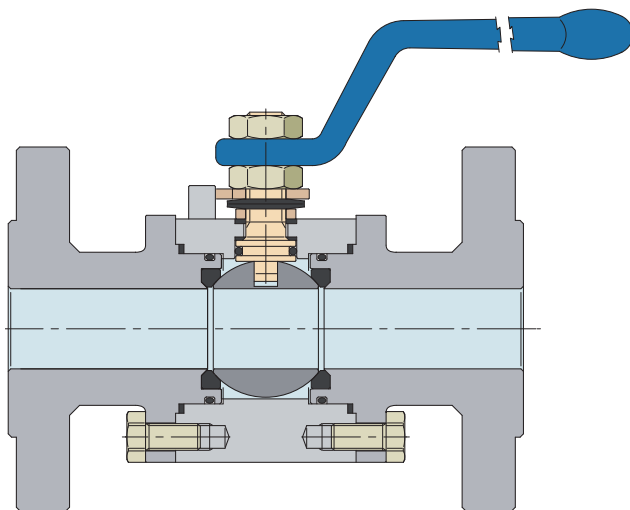
Construction

- API 6D
- B16.34
- ISO 17292
- Fire safe system API 607
- Antistatic
- TA-LUFT - 3.1.8.4

Two pieces



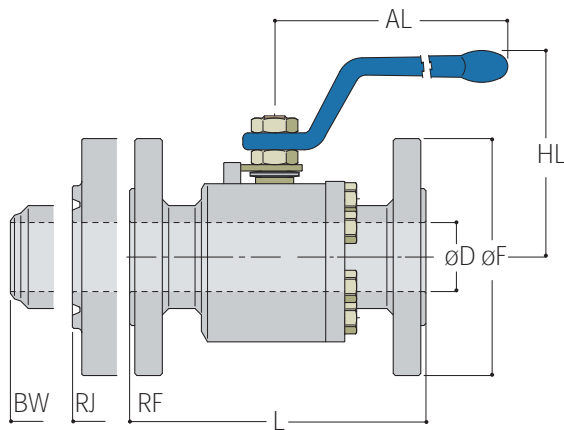
Three pieces



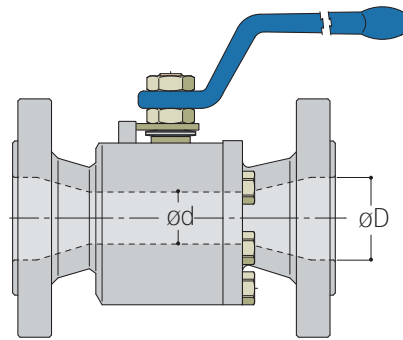
Further details see paragraph *technical information*



Full bore



Reduced bore



SIZE-BORE		L				ASME 150 Dimensions in mm					WEIGHT
Full	Reduced	DN	RF	RJ	BW	ød	øD	øF	AI	HL	(Kg)
1/2"		15	108	121		14	89	180	85	3	
	3/4" x 1/2"	20	117	130		14	19	98	180	85	3
3/4"		20	117	130		19	98	180	85	3	
	1" x 3/4"	25	127	140		19	25	108	215	120	5
1"		25	127	140		25	108	215	120	5	
	1 1/2 x 1 1/4"	40	165	178		30	38	127	215	130	9
1 1/2"		40	165	178		38	127	215	130	9	
	2" x 1 1/2"	50	178	191	216	38	49	152	215	130	10
2"		50	178	191	216	49	152	215	130	14	
	3" x 2"	80	203	216	283	49	75	191	274	170	20
3"		80	203	216	283	75	191	274	170	24	
	4" x 3"	100	229	241	305	75	101	229	335	215	43
4"		100	229	241	305	101	229	335	215	46	
	6" x 4"	150	394	406	457	101	150	279	500	250	83
• 6"		150	394	406	457	150	279	•	•		

SIZE-BORE		L				ASME 300 Dimensions in mm					WEIGHT
Full	Reduced	DN	RF	RJ	BW	ød	øD	øF	AI	HL	(Kg)
1/2"		15	140	151		14	95	180	85	5	
	3/4" x 1/2"	20	152	165		14	19	118	215	130	6
3/4"		20	152	165		19	118	215	130	6	
	1" x 3/4"	25	165	178		19	25	124	215	130	7
1"		25	165	178		25	124	215	130	8	
	1 1/2 x 1 1/4"	40	190	203		32	38	156	215	130	13
1 1/2"		40	190	203		38	156	215	130	13	
	2" x 1 1/2"	50	216	232	216	38	49	165	274	145	16
2"		50	216	232	216	49	165	274	145	16	
	3" x 2"	80	283	298	283	49	75	210	335	160	32
3"		80	283	298	283	75	210	335	190	38	
	4" x 3"	100	305	321	305	75	101	254	335	210	56
• 4"		100	305	321	305	101	254	•	•		

SIZE-BORE		L				ASME 600 Dimensions in mm					WEIGHT
Full	Reduced	DN	RF	RJ	BW	ød	øD	øF	AI	HL	(Kg)
1/2"		15	165	165		14	95	180	80	4	
	3/4" x 1/2"	20	191	191		14	19	118	215	85	5
3/4"		20	191	191		19	118	215	135	7	
	1" x 3/4"	25	216	216		19	25	124	215	120	8
1"		25	216	216		25	124	215	120	8	
	1 1/2 x 1 1/4"	40	241	241		32	38	156	274	130	15
1 1/2"		40	241	241		38	156	274	140	16	
	2" x 1 1/2"	50	292	295	292	38	49	165	274	140	20
2"		50	292	295	292	49	165	274	140	20	
	3" x 2"	80	356	359	356	49	75	210	335	190	40
3"		80	356	359	356	75	210	335	190	46	

SIZE-BORE		L				ASME 900 Dimensions in mm					WEIGHT
Full	Reduced	DN	RF	RJ	BW	ød	øD	øF	AI	HL	(Kg)
1/2"		15	216	216		14	121	215	120	8	
	3/4" x 1/2"	20	229	229		14	19	130	215	125	10
3/4"		20	229	229		19	130	215	125	10	
	1" x 3/4"	25	254	254		19	25	149	274	125	12
1"		25	254	254		25	149	274	125	14	
	1 1/2 x 1 1/4"	40	305	305		32	38	178	274	145	25
1 1/2"		40	305	305		38	178	274	145	28	
	2" x 1 1/2"	50	368	371	368	38	49	216	335	160	30
2"		50	368	371	368	49	216	335	160	34	

SIZE-BORE		L				ASME 1500 Dimensions in mm					WEIGHT
Full	Reduced	DN	RF	RJ	BW	ød	øD	øF	AI	HL	(Kg)
1/2"		15	216	216		14	121	215	120	8	
	3/4" x 1/2"	20	229	229		14	19	130	215	125	10
3/4"		20	229	229		19	130	215	125	10	
	1" x 3/4"	25	254	254		19	25	149	274	125	12
1"		25	254	254		25	149	274	125	14	
	1 1/2 x 1 1/4"	40	305	305		32	38	178	274	145	25
1 1/2"		40	305	305		38	178	274	145	28	
	2" x 1 1/2"	50	368	371	368	38	49	216	335	160	30
2"		50	368	371	368	49	216	335	160	34	

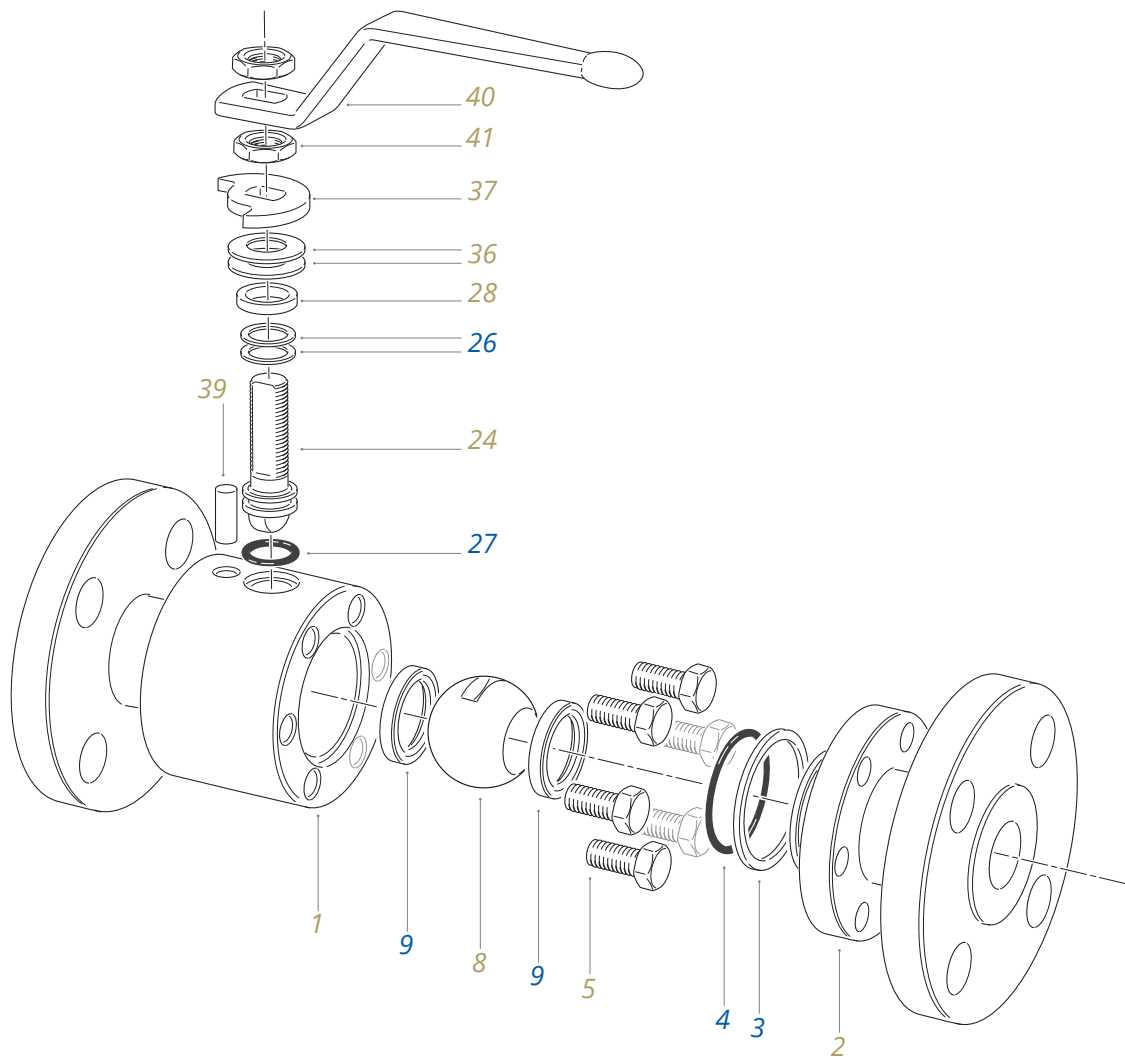
SIZE-BORE		L				ASME 2500					WEIGHT
Full	Reduced	DN	RF	RJ	BW	ød	øD	øF	AI	HL	(Kg)
1/2"		15	264	264		14	133	215	120	11	
	3/4" x 1/2"	20	273	273		14	19	140	274	125	13
3/4"		20	273	273		19	140	274	125	14	
	1" x 3/4"	25	308	308		19	25	159	274	130	17
1"		25	308	308		25	159	274	130	19	
	1 1/2 x 1 1/4"	40	384	387		32	38	203	450	210	51
1 1/2"		40	384	387		38	203	450	210	51	

= Available upon request **Metal to Metal** seated

= Three pieces type

• = With **Gear** only

See p.70 for materials & further details
* Recommended spare parts



1	Body	9*	Seat insert	37	Stop sector
2	Closure	24	Stem	39	Stop spin
3*	Closure gasket	26*	Stem gasket	40	Lever
4*	Closure O-Ring	27*	Stem O-Ring	41	Lever nut
5	Closure bolt	28	Ring		
8	Ball	36	Spring washer		



ART. 22

2 pieces split body floating ball valves

Za.Ve.Ro. API 6D/ISO 17292 floating ball valves are two pieces split body full and reduced bore, side entry, in bolted execution, blowout proof stem, fitted with antistatic device.

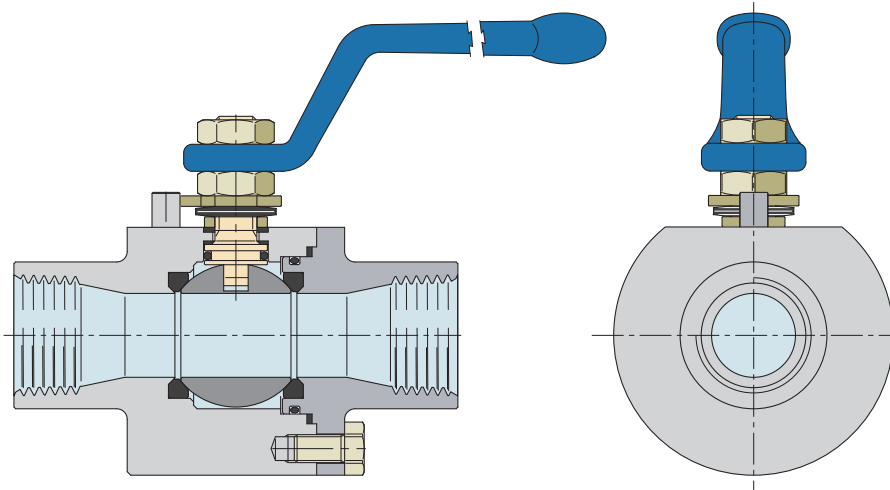
Available pressure ratings:

800-1500-2500 lbs

Construction

- API 6D
- B16.34
- ISO 17292
- Fire safe system API 607
- Antistatic
- TA-LUFT - 3.1.8.4

Two pieces and entry



Options

- locking device
- extended stem
- metal to metal seat
- NPT -BSP - GAS M and F threaded ends
- BW - SW - PE nipped ends
- Soft and metal seated
- Nipples integral with the body

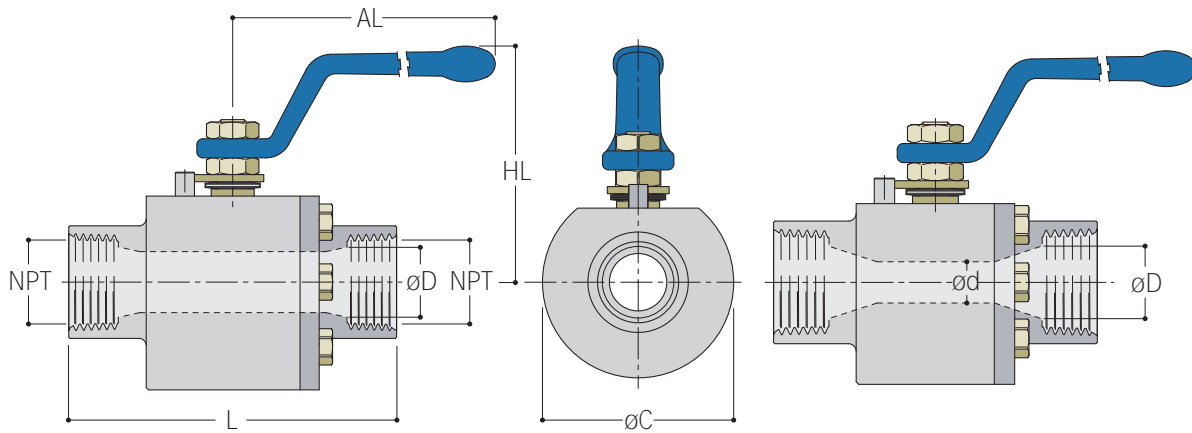
Further details see paragraph [technical information](#)



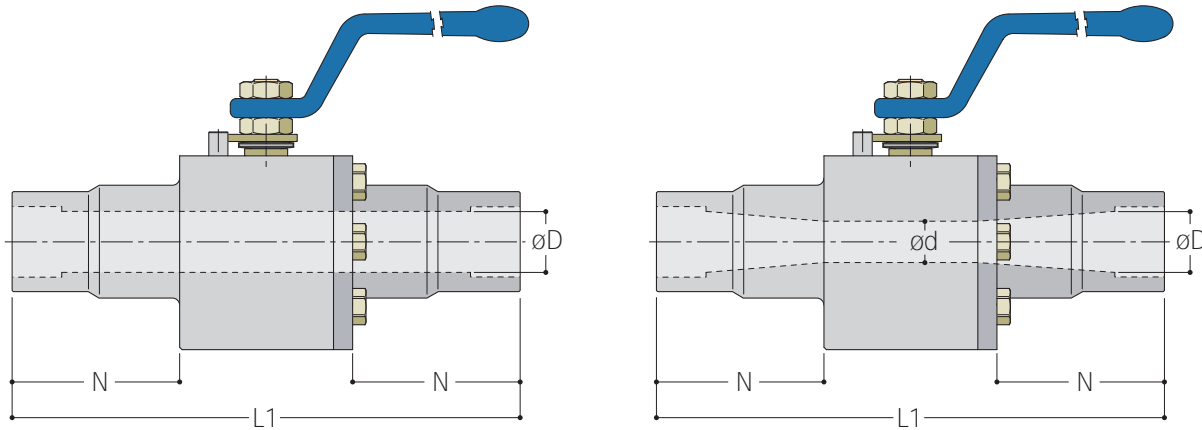
Full bore

Reduced bore

THEADED ENDS



WELDED ENDS



- Standard nipples N= 80 for BW - CW - PE ends
- **Upon request** available with different nipples lengths

SIZE-BORE		FACE to FACE			800 lbs Dimensions in mm					WEIGHT
Full	Reduced	DN	L	L1	$\varnothing d$	$\varnothing D$	$\varnothing C$	AL	HL	(Kg)
	1/2" x 3/8"	15	115	210	10	14	58	180	85	3
1/2"		15	120	215		14	66	180	85	3
	3/4" x 1/2"	20	130	220	14	19	68	180	85	4
3/4"		20	135	225		19	68	180	85	4
	1" x 3/4"	25	140	228	19	25	78	215	135	6
1"		25	145	230		25	84	215	135	7
	1 1/2 x 1 1/4	40	180	235	32	38	100	274	140	8
1 1/2		40	190	245		38	108	274	140	8

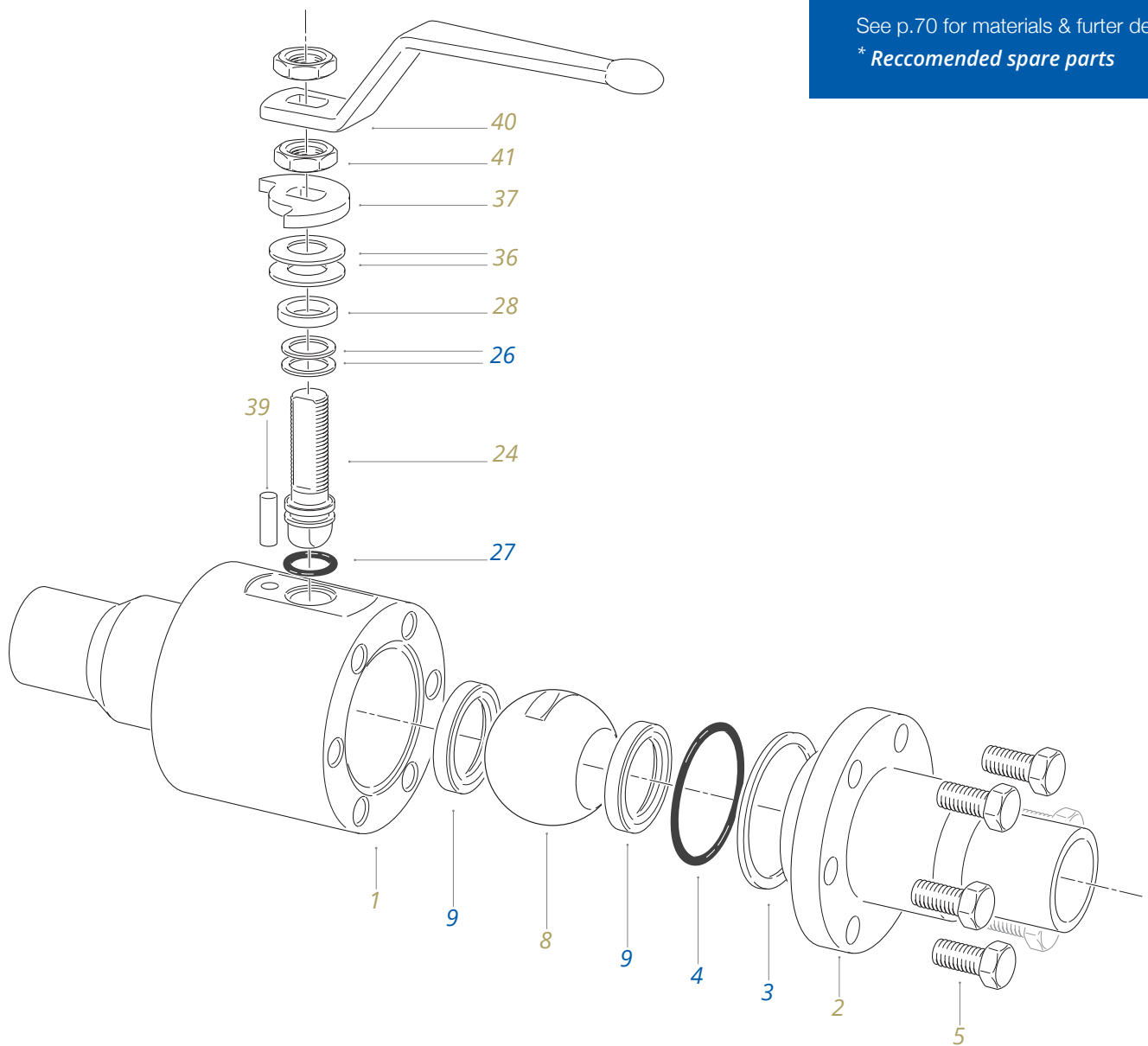
SIZE-BORE		FACE to FACE			1500 lbs Dimensions in mm					WEIGHT
Full	Reduced	DN	L	L1	$\varnothing d$	$\varnothing D$	$\varnothing C$	AL	HL	(Kg)
	1/2" x 3/8"	15	115	210	10	14	58	180	85	3
1/2"		15	120	215		14	66	180	85	3
	3/4" x 1/2"	20	130	220	14	19	68	180	85	4
3/4"		20	135	225		19	68	180	85	4
	1" x 3/4"	25	140	228	19	25	78	215	135	6
1"		25	160	245		25	87	215	145	7
	1 1/2 x 1 1/4	40			32	38				
1 1/2		40	195	250		38	112	274	160	19

General Notes

In case of metal seated, some DN could have Face to Face greater than those in the table

See p.70 for materials & further details

* Recommended spare parts



1	Body
2	Closure
3*	Closure gasket
4*	Closure O-Ring
5	Closure bolt
8	Ball

9*	Seat insert
24	Stem
26*	Stem gasket
27*	Stem O-Ring
28	Ring
36	Spring washer

37	Stop sector
39	Stop spin
40	Lever
41	Lever nut



ART. 20

3 pieces swing-out body

Za.Ve.Ro. API 6D/ISO 17292 floating ball Valves are 3 pieces, split body, side entry, in bolted execution, blowout proof stem, fitted with antistatic device.

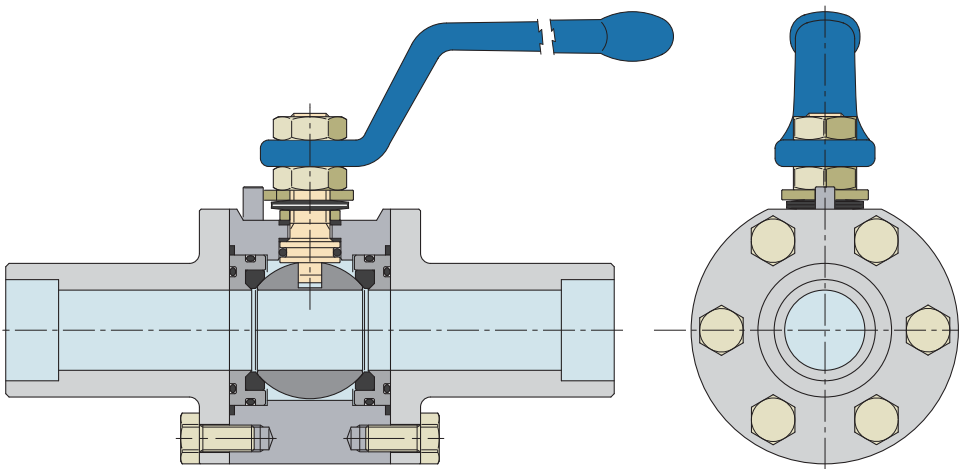
This valve is equipped with a “swing-out body” which allows an easy in-line maintenance avoiding to cut the welded ends, since all the trim is included into the body cavity.

Available pressure ratings:

800-1500 lbs

- Construction**
- API 6D
 - B16.34
 - ISO 17292
 - Fire safe system API 607
 - Antistatic
 - TA-LUFT - 3.1.8.4

Three pieces



Options

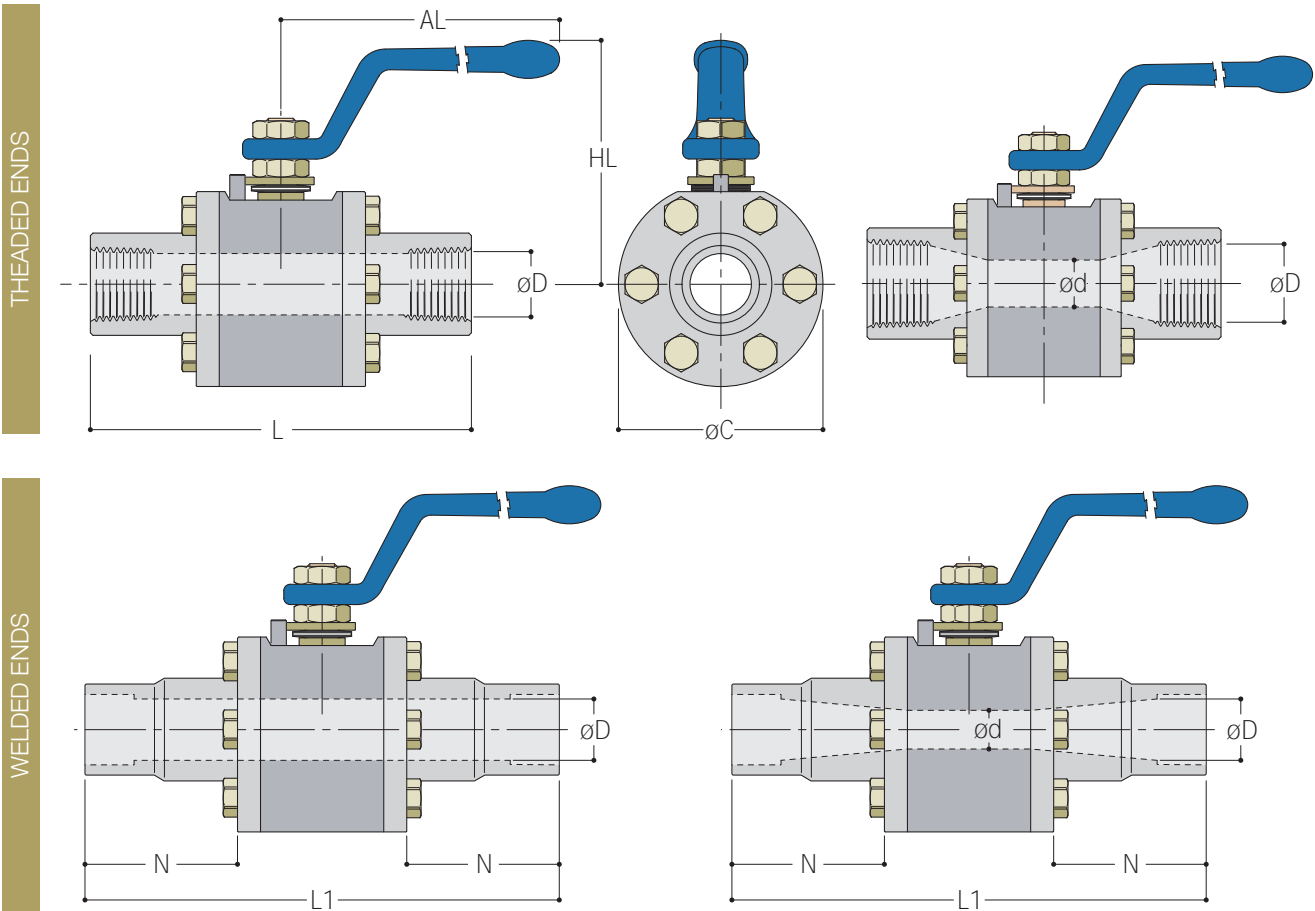
- locking device
- NPT -BSP - GAS M and F threaded ends
- BW - SW - PE nipped ends

Further details see paragraph [technical information](#)



Full bore

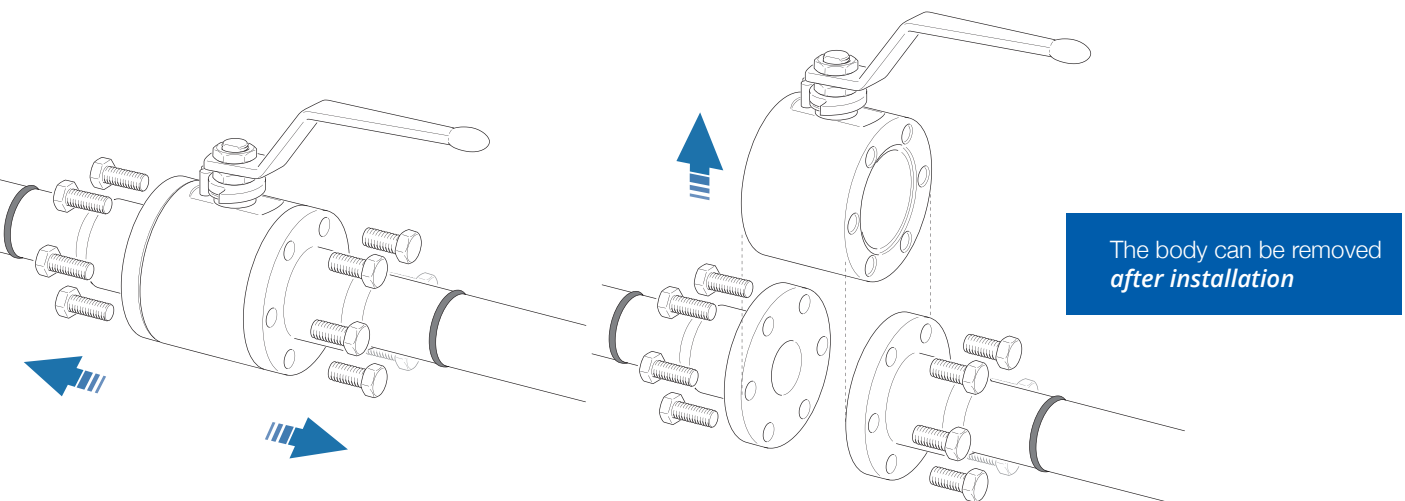
Reduced bore



- Standard nipples N= 80 for BW - SW - PE ends
- **Upon request** available with different nipples lengths

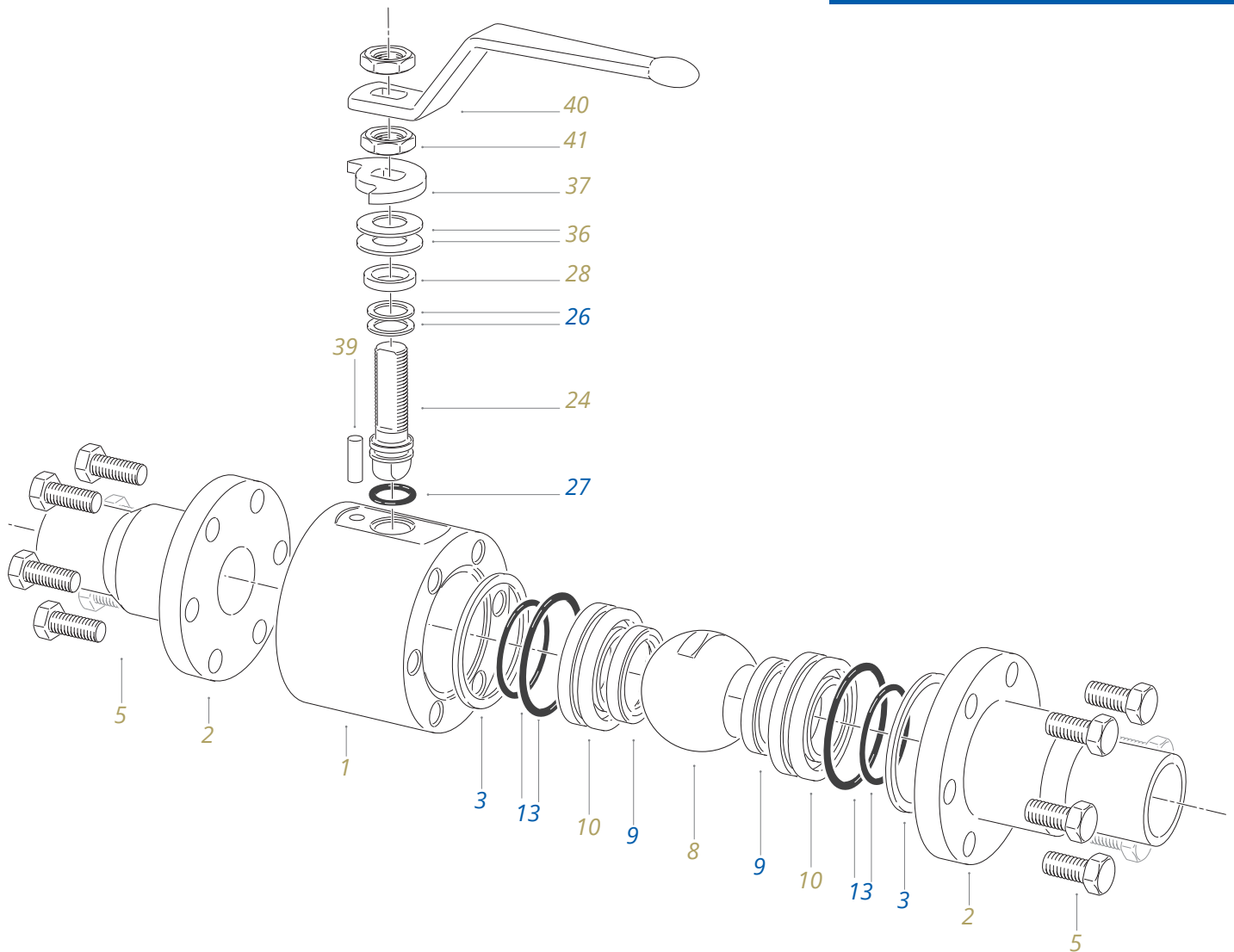
SIZE-BORE		FACE to FACE			800 lbs <i>Dimensions in mm</i>					WEIGHT
Full	Reduced	DN	L	L1	ød	øD	øC	AL	HL	(Kg)
	1/2" x 3/8"	15	95	215	10	14	55	140	64	2
1/2"		15	95	215		14	55	140	64	2
	3/4" x 1/2"	20	140	230	14	19	68	180	77	2,5
3/4"		20	140	230		19	68	180	77	2,5
	1" x 3/4"	25	155	235	19	25	83	215	127	3
1"		25	155	235		25	83	215	127	3
	1 1/2" x 1 1/4"	40	185	265	32	38	108	215	120	5
1 1/2"		40	185	265		38	108	215	120	5

SIZE-BORE		FACE to FACE			1500 lbs <i>Dimensions in mm</i>					WEIGHT
Full	Reduced	DN	L	L1	ød	øD	øC	AL	HL	(Kg)
	1/2" x 3/8"	15	95	215	10	14	55	140	64	2
1/2"		15	95	215		14	55	140	64	2
	3/4" x 1/2"	20	140	230	14	19	68	180	77	2,5
3/4"		20	140	230		19	68	180	77	2,5
	1" x 3/4"	25	165	245	19	25	87	215	127	3,5
1"		25	165	245		25	87	215	127	3,5
	1 1/2" x 1 1/4"	40	190	270	32	38	112	215	130	7
1 1/2"		40	190	270		38	112	215	130	7



See p.70 for materials & further details

* *Reccomended spare parts*



1	Body
2	Closure
3*	Closure gasket
4*	Closure O-Ring
5	Closure bolt
8	Ball

9*	Seat insert
10	Seat ring
13*	Seat O-ring
24	Stem
26*	Stem gasket
27*	Stem O-Ring

28	Ring
36	Spring washer
37	Stop sector
39	Stop spin
40	Lever
41	Lever nut



ART. 175 ART. 122

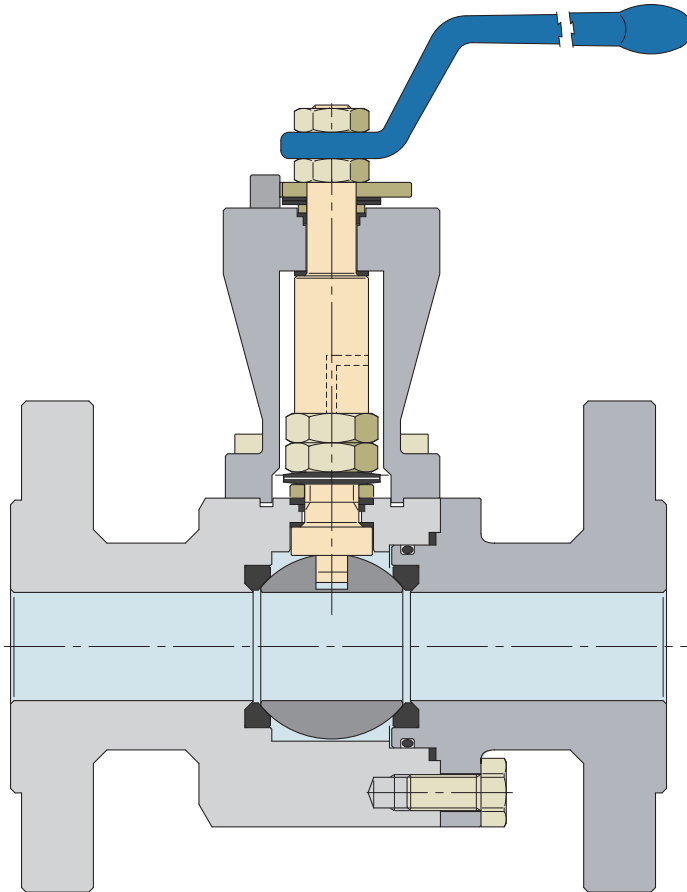
Cryogenic

Cryogenic valves are designed to withstand temperatures down to -196°C . All metallic parts are manufactured in stainless steel, while the soft parts are realized in proper special materials suitable for this so severe application.

Normally, the seats are in Poli-Chloro-Tri-Fluoro-Ethylene (PCTFE - Kel-F®) and PTFE lip seals insures the sealing of all dynamic components. Valve bonnet is extended to keep a vapor room, to avoid the contact of liquid cryogenic media to the gland.

Construction

- BS 6364



Options

- locking device
- double piston effect
- metal to metal seat
- RF - RJ - HUB - BW ends
- Gear, pneumatic, hydraulic, electric motor operated

Further details see paragraph [technical information](#)

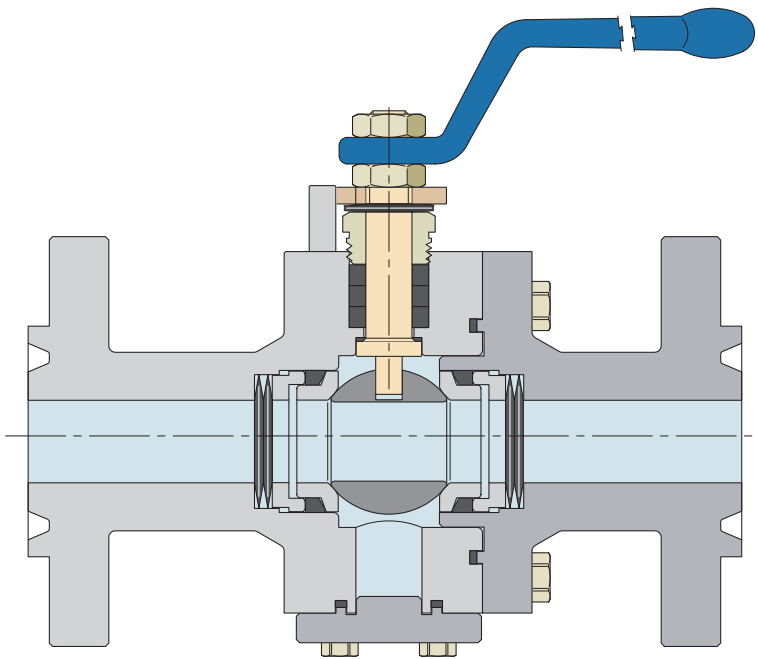




ART. 375

High Temperature

High Temperature ball valves are normally provided with metal to metal seats and adjustable graphite gland packing. No soft parts are considered, due to the temperature which can reach more than **600°C**. All metallic parts are realized in forged special steels. Ball and seats hardfacing is with chromium carbides or tungsten carbide. A stem extension may also be provided to facilitate the operation of the valve.



Options

- locking device
- extended stem
- double piston effect
- RF - RJ - HUB - BW ends
- Gear, pneumatic, hydraulic, electric motor operated

Further details see paragraph [technical information](#)





Zavero srl, Via dei Martiri 121/B, 28078 Romagnano Sesia, ITALY
Phone +39 0163 41 13 37 sales@zavero.com www.zavero.com

