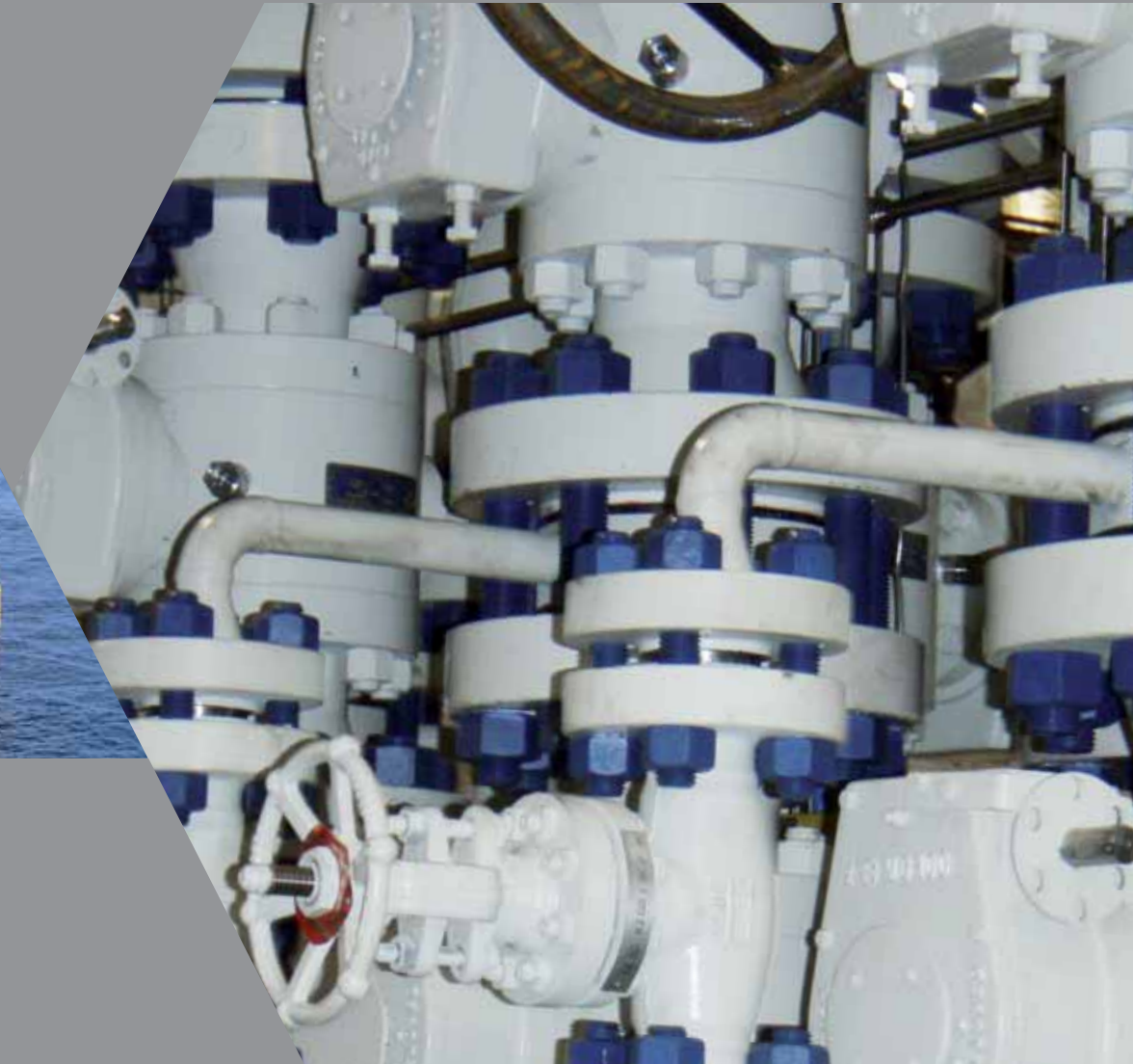




COMMODITY valves







COMMODITY valves

PAGE

64

Art. 60 ball valve one piece body

PAGE

65

Art 90 ball valve one piece body

PAGE

66

Art 62 ball valve one pieces body with integral nipple

PAGE

67

Art 92 ball valve one pieces body with integral nipple

PAGE

68

Art 105 flanged needle valve - *110* slanting needle valve

PAGE

69

Art. 100 -120 needle valve

PAGE

70

Art 130-135 needle valve-monobloc type

PAGE

71

Art 160 gauge bearer valve

PAGE

72

Art 140 check valve

PAGE

73

Art 145 ball check valve monobloc type



ART. 60

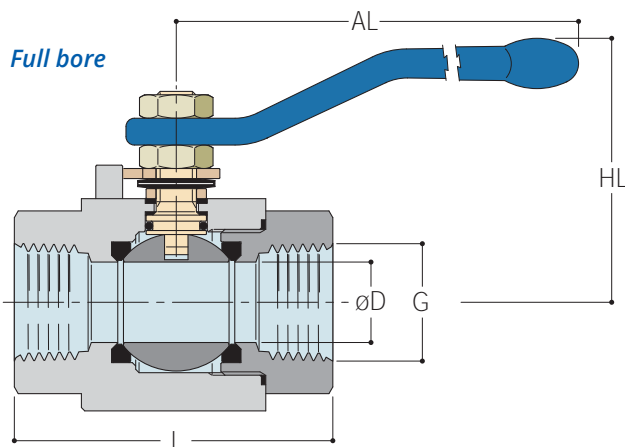
Ball valve one pieces body

Za.Ve.Ro. API 6D/ISO 17292 floating ball Valves, full and reduced bore, are one piece screwed body, side entry, blowout proof stem, fitted with antistatic device.

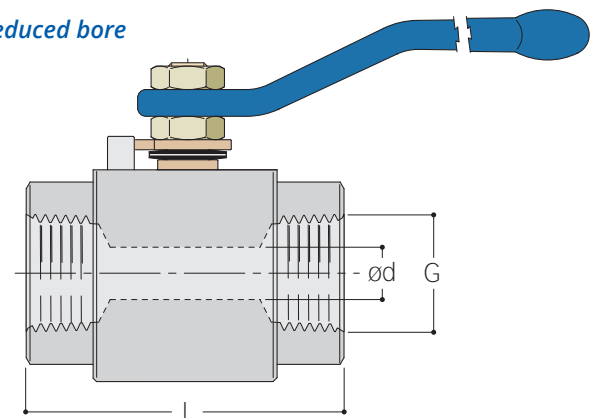
Valves are available with NPT, BSP or GAS (male and female) ends.

Available pressure ratings:

ASME 150-1500 • 2000-3000-6000 psi



Full bore



Reduced bore

Options

- locking device
- extended stem
- NPT - BSP threaded ends
- Soft seated

Construction

- B16.34
- ISO 17292
- Fire safe system API 607
- Antistatic
- TA-LUFT - 3.1.8.4

SIZE-BORE (G)		Dimensions in mm						WEIGHT	Size available
Full	Reduced	DN	L	ød	øD	AL	HL	(Kg)	
1/4"		8	• 70		10	110	65	0.8	<div style="display: flex; flex-direction: column; align-items: center;"> <div style="width: 10px; height: 100%; background-color: blue;"></div> <div style="width: 10px; height: 100%; background-color: gold;"></div> </div>
	3/8" x 1/4"	10	70	10	10	110	65	0.8	
3/8"		10	75		10	145	75	1	
	1/2" x 3/8"	15	70	10	14	110	65	0.8	
1/2"		15	75		14	145	75	1	
	3/4" x 1/2"	20	80	14	18	145	70	1	
3/4"		20	85		18	180	80	1.5	
	1" x 3/4"	25	90	18	24	180	90	1.5	
1"		25	95		24	180	90	1.8	
	1"1/4 x 1"	32	105	30	24	180	90	2.3	
1"1/4"		32	115		30	215	95	3.8	
	1"1/2 x 1"1/4	40	115	30	38	215	110	3.5	
1"1/2"		40	120		38	215	110	4.8	
	2" x 1"1/2	50	135	38	48	215	120	5.3	
2"		50	142		48	215	120	7.5	
	3" x 2"1/2	80	160						
3"		80	187						
	4" x 3"	100							
4"		100							
	5" x 4"	125							
5"		125							

• = Face to Face up to 3000 psi; L= 75 for 6000 psi

ART. 90

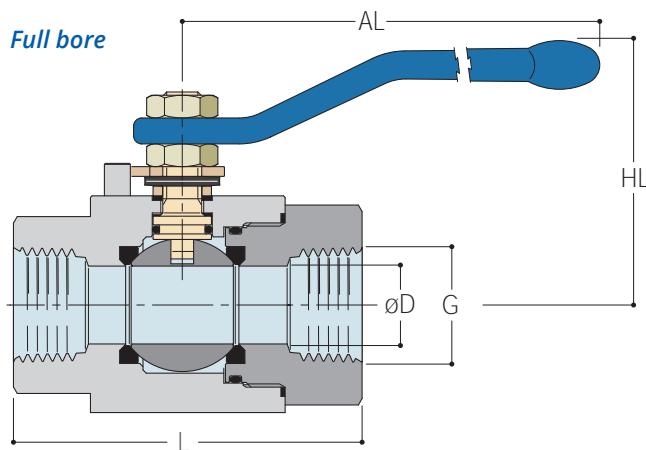
Ball valve one pieces body



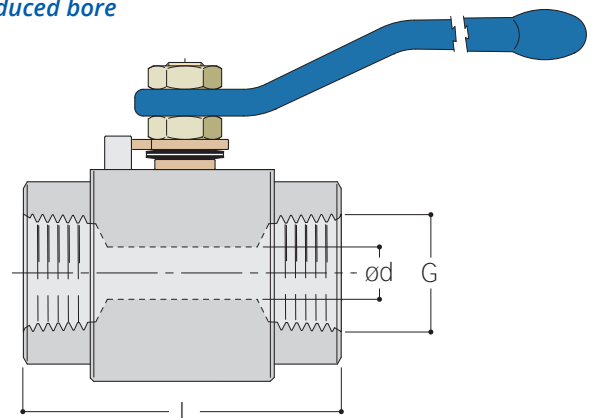
Za.Ve.Ro. API 6D/ISO 17292 floating ball Valves, full and reduced bore, designed for high pressure are one piece screwed body, side entry, blowout proof stem, fitted with antistatic device. Valves are available with NPT, BSP or GAS (male and female) ends.

Available pressure ratings:

ASME 2500 • 10000-15000 psi



Reduced bore



Options

- locking device
- extended stem
- NPT - BSP threaded ends
- Soft seated

Construction

- B16.34
- ISO 17292
- Fire safe system API 607
- Antistatic
- TA-LUFT - 3.1.8.4

SIZE-BORE (G)		CLASS 2500-10000 <small>Dimensions in mm</small>						WEIGHT
Full	Reduced	DN	L	ød	øD	AL	HL	(Kg)
1/4"		8	85		10	145	75	1.3
	3/8" x 1/4"	10						
3/8"		10	95		14	180	80	2
	1/2" x 3/8"	15						
1/2"		15	95		14	180	80	2
	3/4" x 1/2"	20						
3/4"		20	105		18	180	95	2.6
	1" x 3/4"	25						
1"		25	115		24	215	120	3.2
	1"1/4 x 1"	32						
1"1/4"		32			30			
	1"1/2 x 1"1/4"	40						
1"1/2"		40	145		38	215	125	7
	2" x 1"1/2"	50						
2"		50	180		48	274	155	12

SIZE-BORE (G)		CLASS 15000 <small>Dimensions in mm</small>						WEIGHT
Full	Reduced	DN	L	ød	øD	AL	HL	(Kg)
1/4"		8						
	3/8" x 1/4"	10						
3/8"		10						
	1/2" x 3/8"	15						
1/2"		15	105		14	180	90	2.8
	3/4" x 1/2"	20						
3/4"		20	110		18	215	130	3
	1" x 3/4"	25						
1"		25	125		24	215	145	5
	1"1/4 x 1"	32						
1"1/4"		32			30			
	1"1/2 x 1"1/4"	40						
1"1/2"		40	171		38	274	155	11.5
	2" x 1"1/2"	50						
2"		50	183		48	274	155	13.5



ART. 62

Ball valve one pieces body with integral nipple

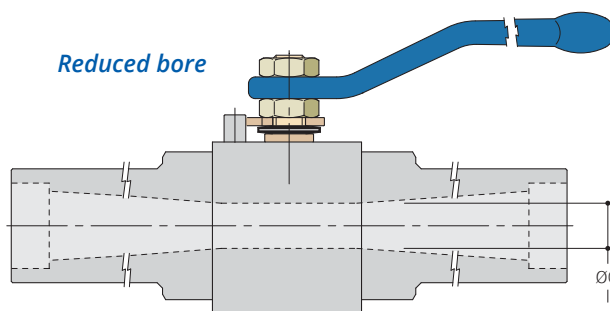
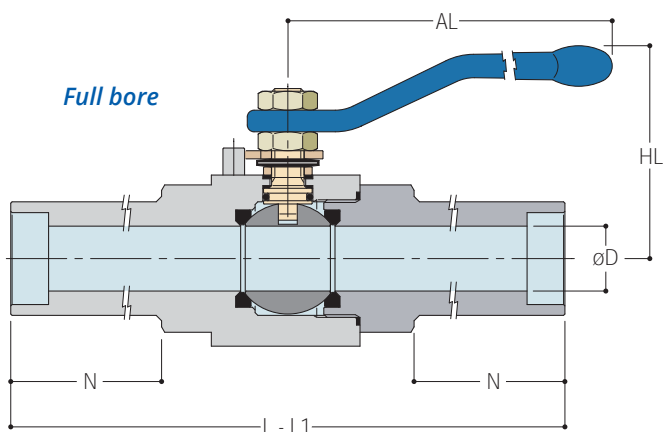


Za.Ve.Ro. API 6D/ISO 17292 floating ball Valves, full and reduced bore, are one piece screwed body, side entry, blowout proof stem, fitted with antistatic device.

Valves are available with nipples and welding ends (BW, PE, SW).

Available pressure ratings:

ASME 150-1500 • 2000-3000-6000 psi



Standard nipples

N=80 mm for stainless steel • N=100 mm for carbon steel

L = lenght with stainless steel nipples

L1 = lenght with carbon steel nipples

Available on request with different nipples lengths

Options

- locking device
- extended stem
- Soft seated

Construction

- B16.34
- ISO 17292
- Fire safe system API 607
- Antistatic
- TA-LUFT - 3.1.8.4

SIZE-BORE (G)		Dimensions in mm							WEIGHT
Full	Reduced	DN	L	L1	ød	øD	AL	HL	(Kg)
1/2"		15	235	275		14	145	75	1.5
	3/4" x 1/2"	20	240	280	14	18	145	70	1.5
3/4"		20	245	285		18	180	80	2.3
	1" x 3/4"	25	250	290	18	24	180	90	2.3
1"		25	255	295		24	180	90	2.7
	1 1/4" x 1"	32	265	305	30	30	180	90	3.5
1 1/4"		32	275	315		30	215	95	6.5
	1 1/2" x 1 1/4"	40	275	315	30	38	215	110	5.3
1 1/2"		40	280	320		38	215	110	7.2
	2" x 1 1/2"	50	295	335	38	48	215	120	8
2"		50	300	340		48	215	120	11.3

ART. 92

Ball valve one pieces body with integral nipple

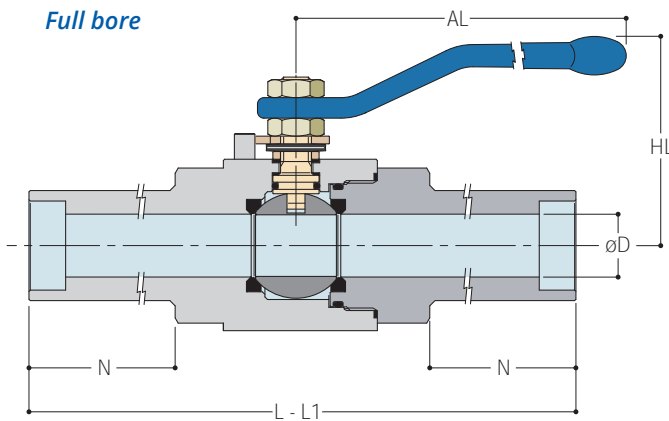


Za.Ve.Ro. API 6D/ISO 17292 floating ball Valves, full and reduced bore, designed for high pressure are one piece screwed body, side entry, blowout proof stem, fitted with antistatic device. Valves are available with nipples and welding ends (BW, PE, SW).

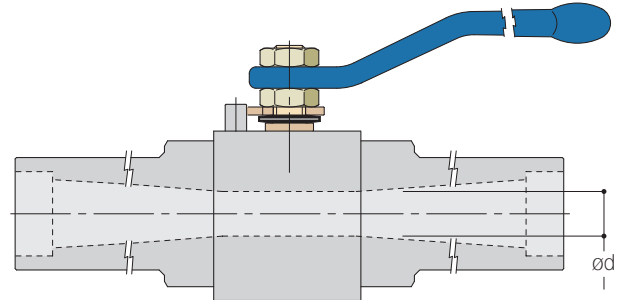
Available pressure ratings:

ASME 2500 • 10000-15000 psi

Full bore



Reduced bore



Options

- locking device
- extended stem
- Soft seated

Construction

- B16.34
- ISO 15761
- Fire safe system API 607
- Antistatic
- TA-LUFT - 3.1.8.4

Standard nipples

N=80 mm for stainless steel • N=100 mm for carbon steel

L = lenght with stainless steel nipples

L1 = lenght with carbon steel nipples

Available on request with different nipples lenghts

SIZE-BORE (G)		CLASS 2500-10000 Dimensions in mm							WEIGHT
Full	Reduced	DN	L	L1	ød	øD	AL	HL	(Kg)
1/2"		15	255	295	14	180	80	3	
	3/4" x 1/2"	20							
3/4"		20	265	305	18	180	95	4	
	1" x 3/4"	25							
1"		25	275	315	24	215	120	5	
	1"1/4 x 1"	32							
1"1/4		32			30				
	1"1/2 x 1"1/4	40							
1"1/2		40	305	345	38	215	125	10.5	
	2" x 1"1/2	50							
2"		50	340	380	48	274	155	18	

SIZE-BORE (G)		CLASS 15000 Dimensions in mm							WEIGHT
Full	Reduced	DN	L	L1	ød	øD	AL	HL	(Kg)
1/2"		15	265	305	14	180	90	4.5	
	3/4" x 1/2"	20							
3/4"		20	270	310	18	215	130	4.5	
	1" x 3/4"	25							
1"		25	285	325	24	215	145	7.5	
	1"1/4 x 1"	32							
1"1/4		32			30				
	1"1/2 x 1"1/4	40							
1"1/2		40	330	370	38	274	155	17.5	
	2" x 1"1/2	50							
2"		50	343	383	48	274	155	20.5	



ART. 105

Flanged Needle Valve

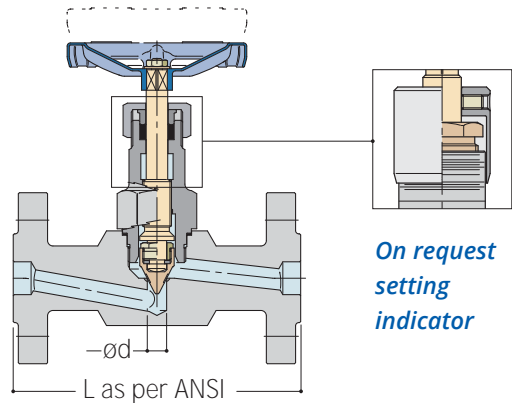
Available pressure ratings:

ASME 150-300-600 RF - RJ • PN6-PN10-PN16-PN25-
PN40-PN64-PN100

The flanges can be supplied in conformity with: UNI - DIN
- ASME regulations

Available on request with different Face to Face dimension

Maximum operating temperature 250°C



SIZE-BORE		L Dimensions in mm				
Full (G)	ød	DN	150	300	600	ENDS
1/2"	8	15	108	140	165	RF
3/4"	10	20	121	151	165	RTJ
			130	165	191	RTJ
1"	12	25	127	165	216	RF
			140	178	216	RTJ
1 1/4"	15	32	140	178	229	RF
			153	191	229	RTJ
1 1/2"	18	40	165	190	241	RF
			178	203	241	RTJ
2"	25	50	178	216	292	RF
			191	232	295	RTJ
2 1/2"	28	65	190	241	330	RF
			203	257	333	RTJ
3"	32	80	203	283	356	RF
			216	298	359	RTJ
4"	38	100	229	305	432	RF
			241	321	435	RTJ
6"	49	150	394	403	559	RF
			406	419	562	RTJ



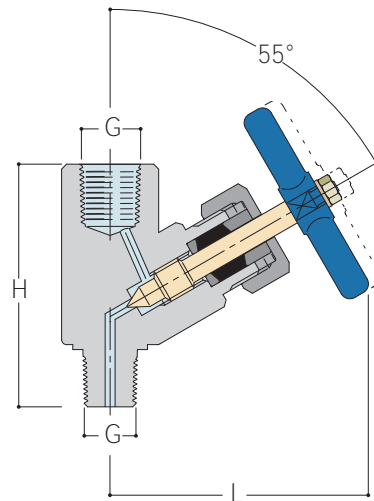
ART. 110

Slanting needle valve

Available pressure ratings:

5000-10000 psi

Special execution on request



SIZE-BORE		Dimensions in mm	
G	DN	L	H
1/2"	8	110	100



ART. 100

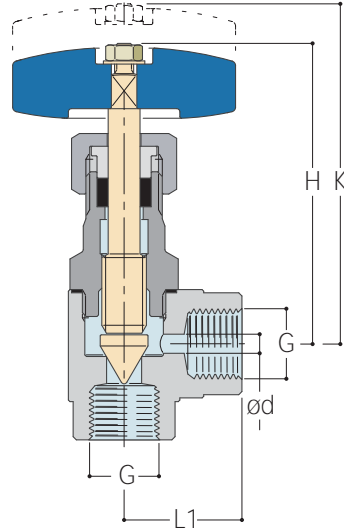
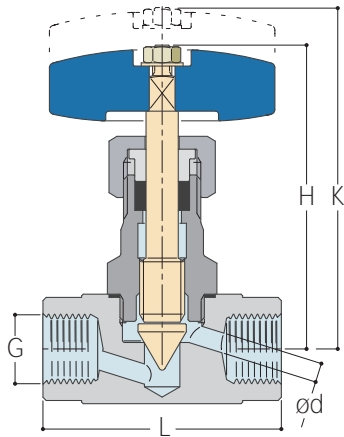
Needle Valve

ART. 120

Needle Valve - 90° angle version

Available pressure ratings:

800 lbs ÷ 3000 psi

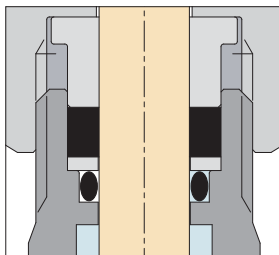


Available from
800-1500 lbs 3000 psi
Maximum operating
temperature 250°C

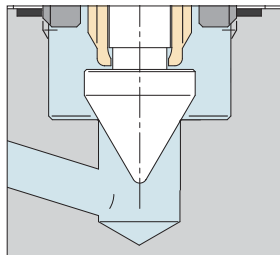
Options

NPT - GAS

Variant for gas



Moving stopper (on request)



SIZE-BORE	Dimensions in mm					
Full (G)	DN	ød	L	L1	H	K
1/4"	8	6	75	23	105	120
3/8"	10	6	75	27	115	130
1/2"	15	8	82	29	125	140
3/4"	20	10	90	35	135	145
1"	25	13	110	39	155	160
1" 1/4	32	16	115	50	170	185
1" 1/2	40	20	130	57	190	210
2"	50	24	160	64	210	230



ART. 130

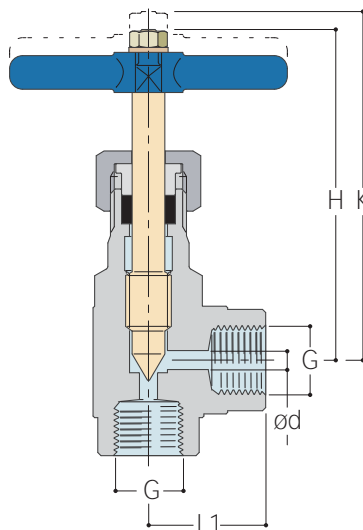
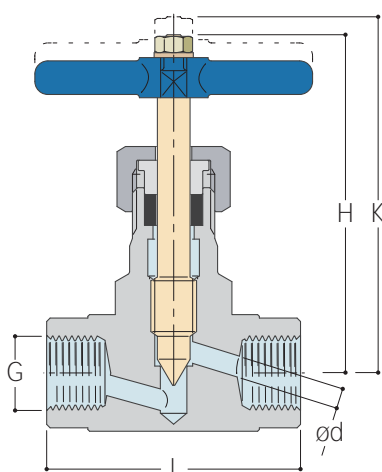
Needle Valve - monobloc type

ART. 135

Needle Valve - monobloc type
90° angle version

Available pressure ratings:

800 lbs ÷ 15000 psi



Available from

800-1500-2500 lbs
3000-6000-10000-15000 psi

Maximum operating
temperature 250°C

Options

NPT - GAS

SIZE-BORE	Dimensions in mm							Size available		
	Full (G)	DN	Ød	L low pressure	L high pressure	L1	H	K	Low Pressure	High Pressure
1/4"	8	6	75	82	35	110	120		800 lbs 1500 lbs 3000 psi	2500 lbs 10000 psi 15000 psi
3/8"	10	6	75	82	35	110	120			
1/2"	15	7	82	90	40	120	132			
3/4"	20	9	105	110	45	125	137			
1"	25	13	110	125	50	145	160			
1" 1/4	32	16	130		60	165	185	•	•	•
1" 1/2	40	20	130		65	180	200			
2"	50	24	160		70	200	220			

• = Size upon request

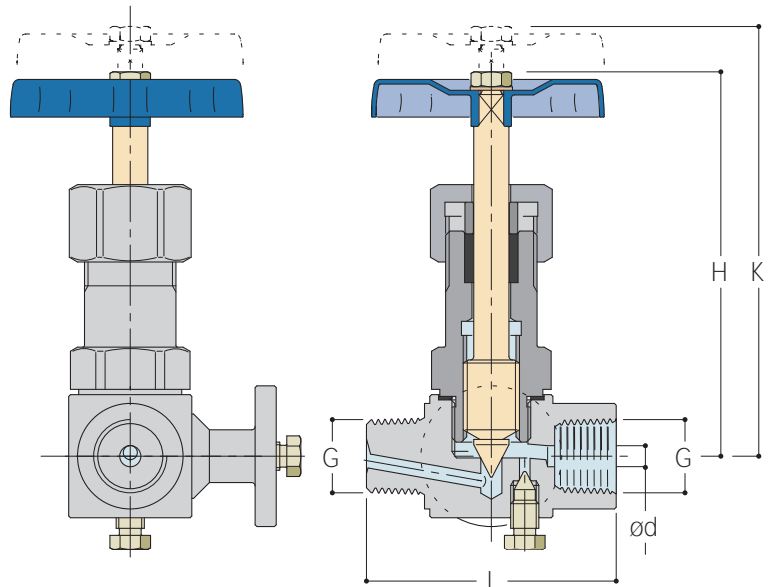
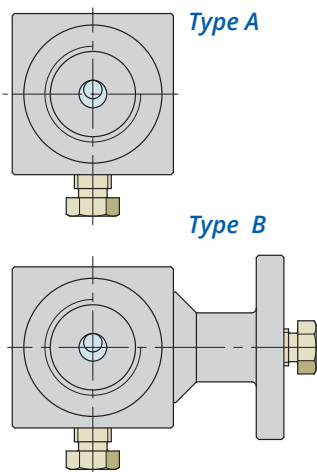


ART. 160

Gauge bearer valve

Available pressure ratings:

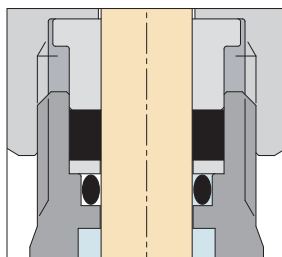
3000 ÷ 6000 psi



Maximum operating temperature 250°C

Options
NPT - Threaded ends

Variant for gas



SIZE-BORE	Dimensions in mm				
Full (G)	DN	ød	L	H	K
1/4"	8	6	70	105	120
3/8"	10	6	70	105	120
1/2"	15	7	70	105	120



ART. 140

Check valve

Maximum operating pressure PN64

Maximum operating temperature 150°C

Options

NPT-GAS-SW ENDS

Viton seal

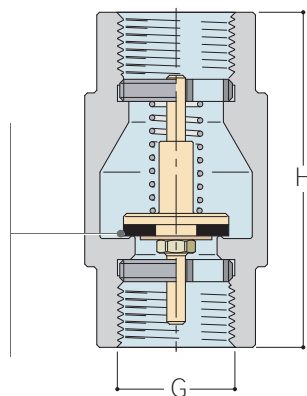
for pressure up to PN6

PTFE seal

for pressure PN6 ÷ PN25

PEEK seal

for pressure PN25 ÷ PN64

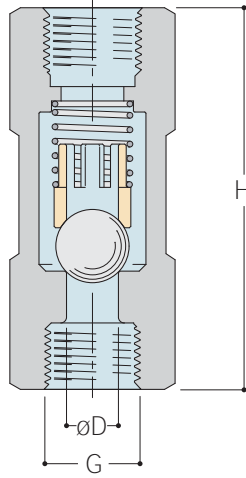


SIZE-BORE	Dimensions in mm	
	DN	H
<i>Full</i> (G)		
1/4"	8	60
3/8"	10	65
1/2"	15	70
3/4"	20	80
1"	25	90
1" 1/4	32	110
1" 1/2	40	115
2"	50	130
2" 1/2	65	NA
3"	80	200

Data not included: not applicable. For further details see paragraph *Technical Information*



For vertical installation only



ART. 145

Ball check valve monobloc type

Available pressure ratings:

800-1500-2500 lbs

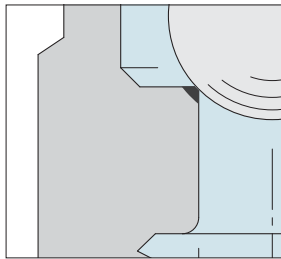
3000-6000-10000-15000 psi

Maximum operating temperature 200°C
Up to 300°C on request

Options

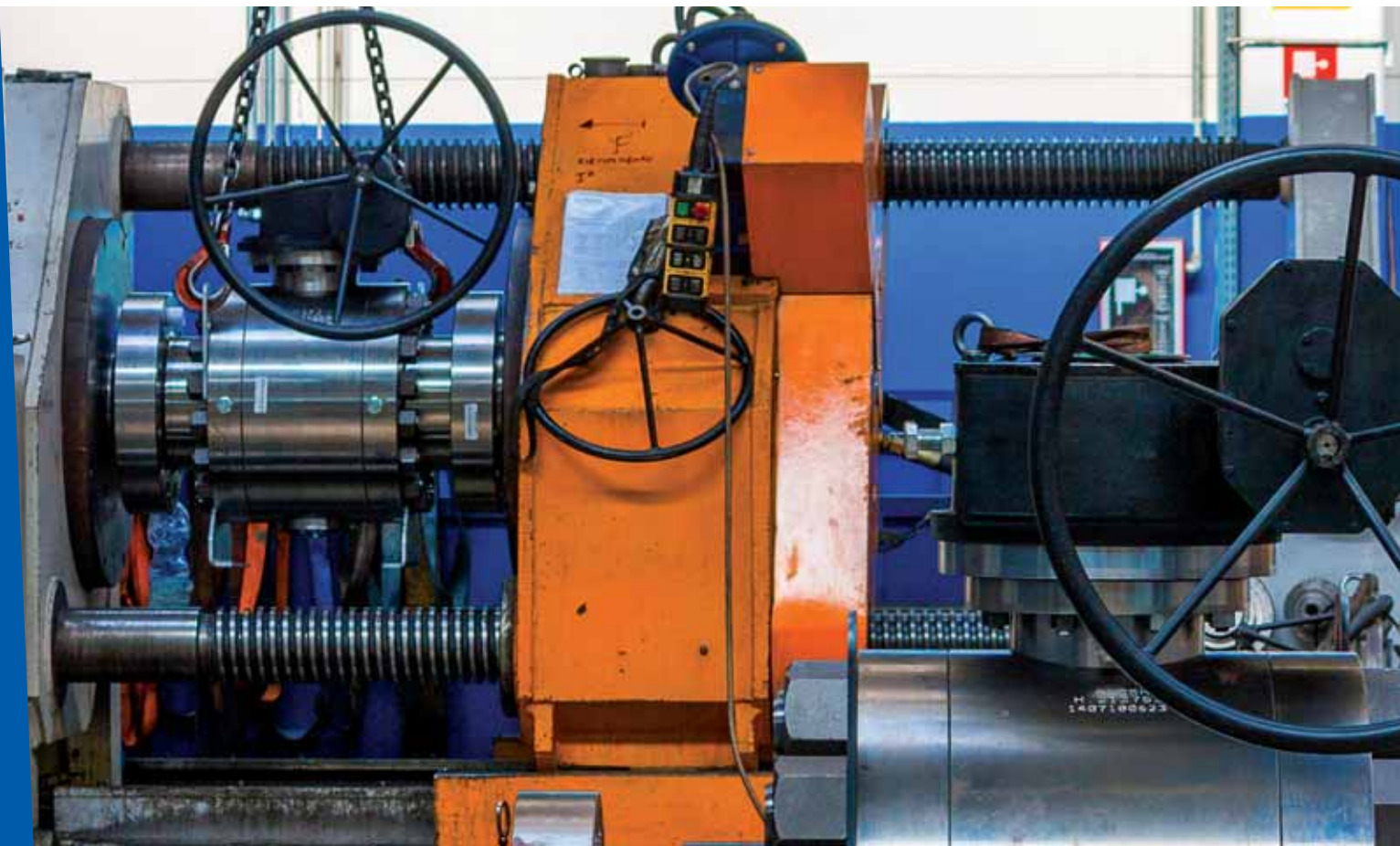
NPT-GAS-SW ENDS

Stellited on request



SIZE-BORE	Dimensions in mm			Size available
Full (G)	DN	ØD	H	
1/4"	8	8	90	800 lbs
3/8"	10	8	90	1500 lbs
1/2"	15	10	90	2500 lbs
3/4"	20	14	110	3000 psi
1"	25	18	127	6000 psi
1" 1/2	40	27	170	10000 psi
2"	50	38	180	15000 psi

Data not included: not applicable. For further details see paragraph *Technical Information*





Zavero srl, Via dei Martiri 121/B, 28078 Romagnano Sesia, ITALY
Phone +39 0163 41 13 37 sales@zavero.com www.zavero.com

